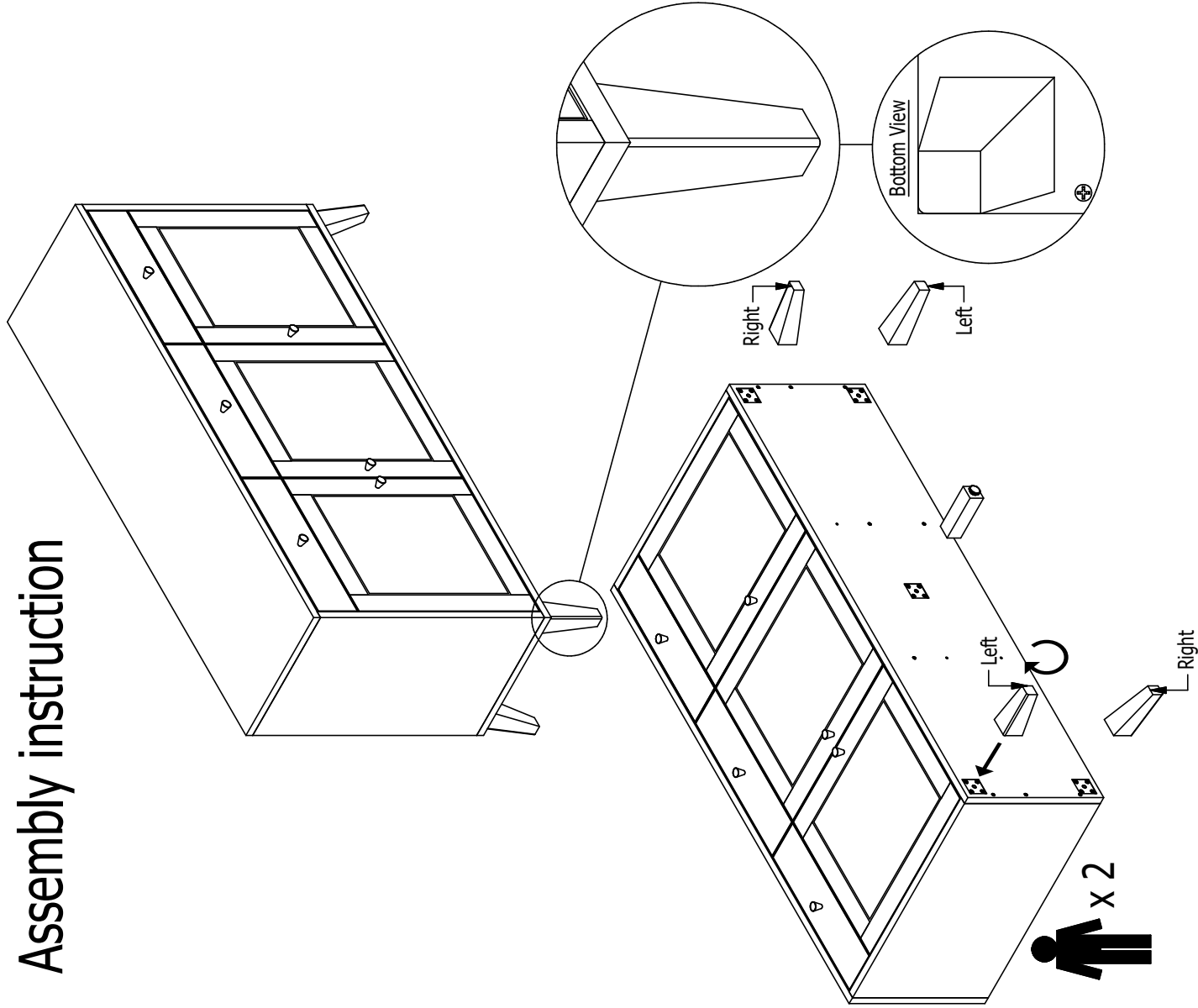
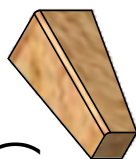

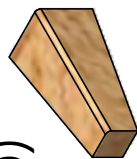
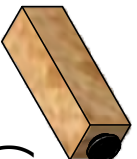


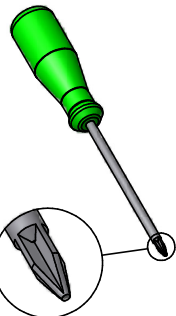


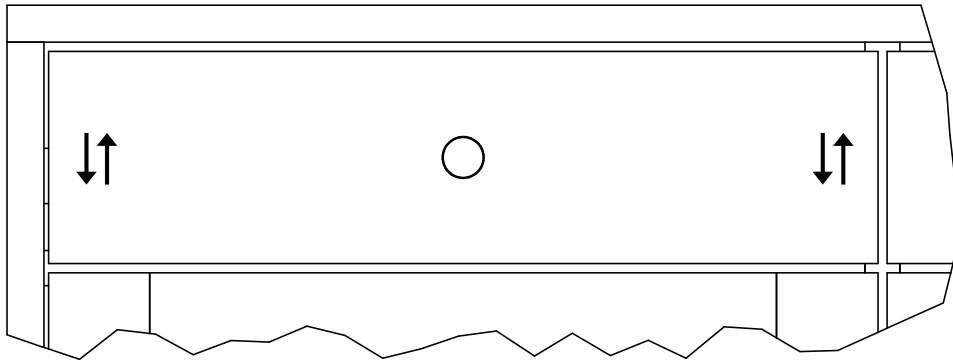
Assembly instruction



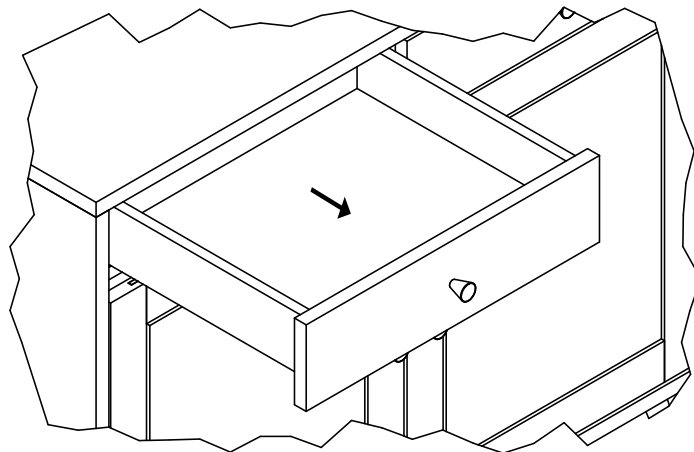
<p>a)  x 2 Left leg</p>	<p>f)  x 6</p>
<p>b)  x 2 Right leg</p>	
<p>c)  x 1</p>	
<p>d)  x 12</p>	
<p>e)  x 6</p>	
<p></p>	

Drawer Regulation Scheme

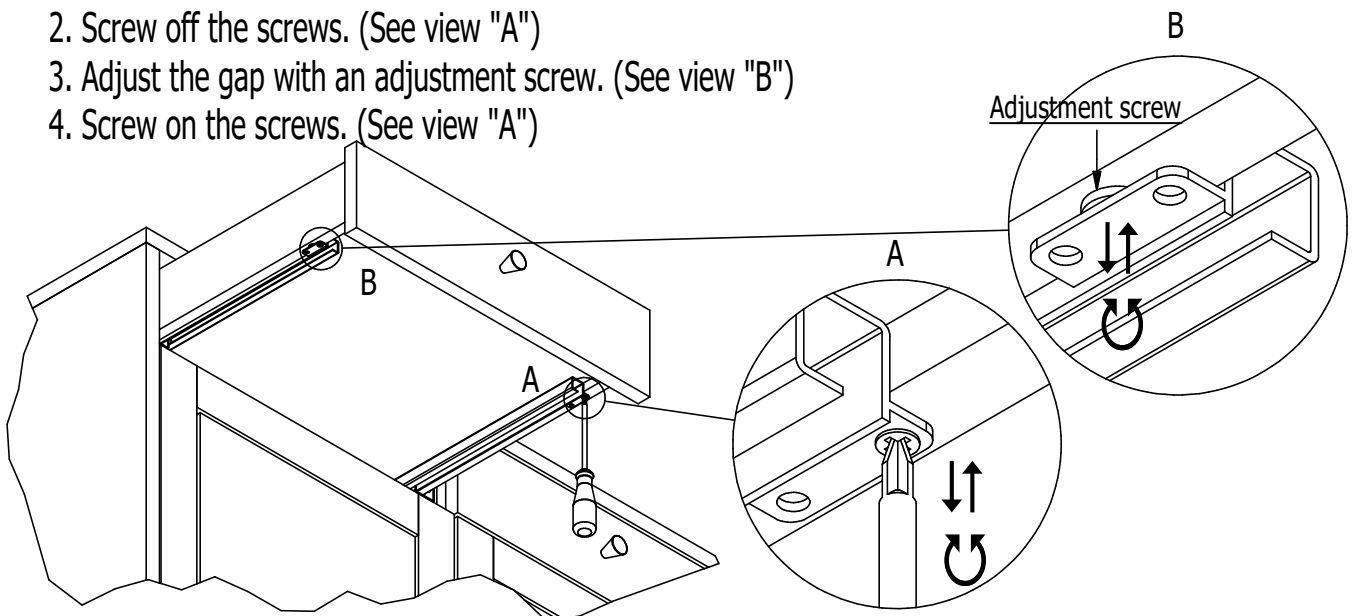
To make the equal gaps between drawers you need:



1. Open the drawer.

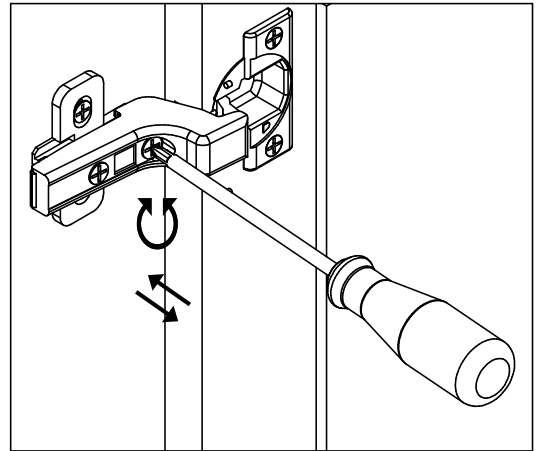
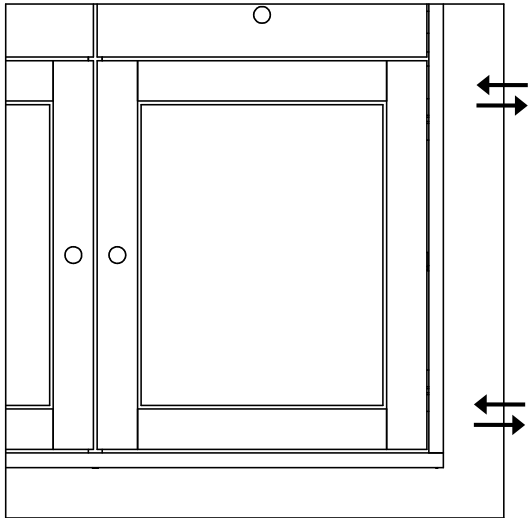


2. Screw off the screws. (See view "A")
3. Adjust the gap with an adjustment screw. (See view "B")
4. Screw on the screws. (See view "A")

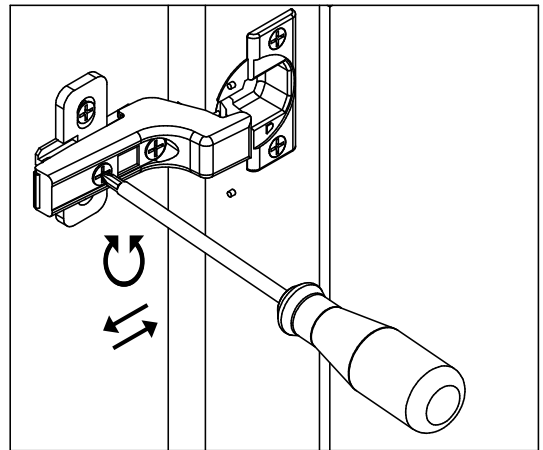
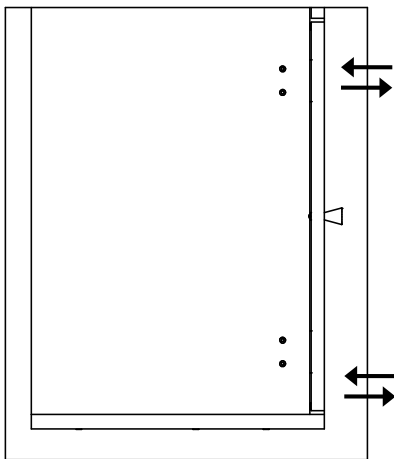


Door Regulation Scheme

①



②



③

